



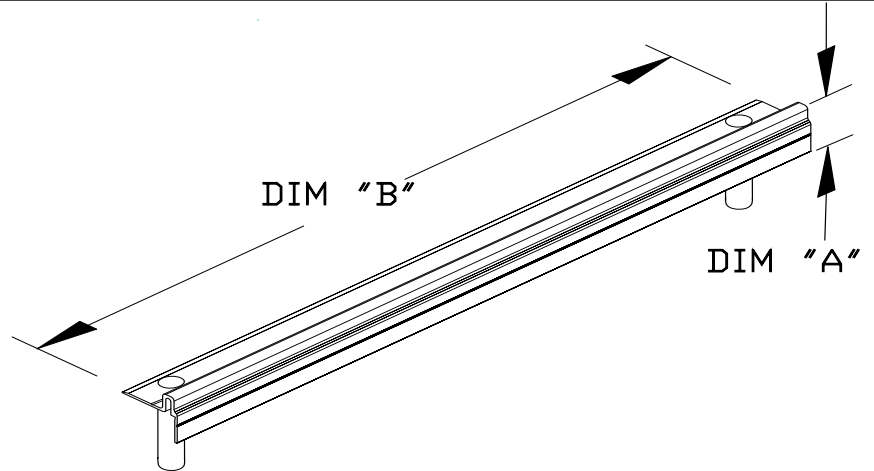
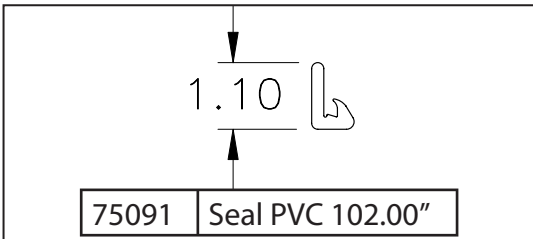
Great Dane Trailers

Section 8

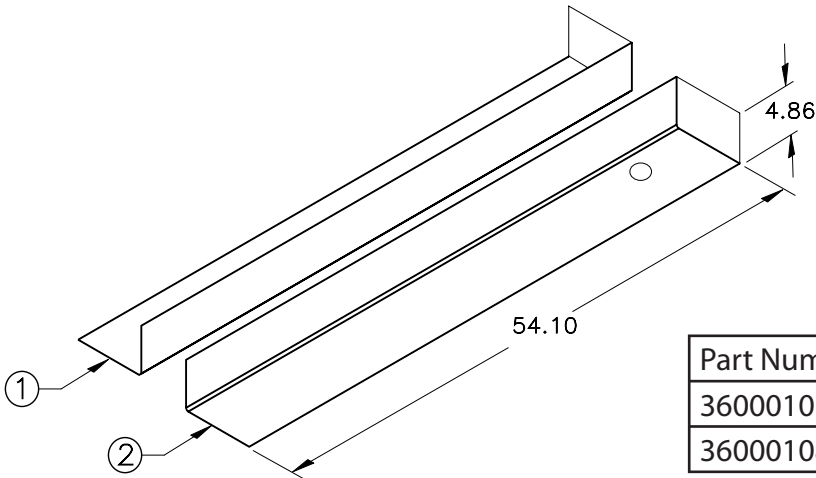
Aluminum & Wood Flooring

Great Dane Rear Gutter Assemblies

| Part Number | Dim "A" | Dim "B" |
|-------------|---------|---------|
| 36000101 | 3.75" | 98.11" |
| 36000102 | 4.25" | 98.11" |
| 36000103 | 5.25" | 98.11" |
| 36000105 | 3.25" | 98.11" |

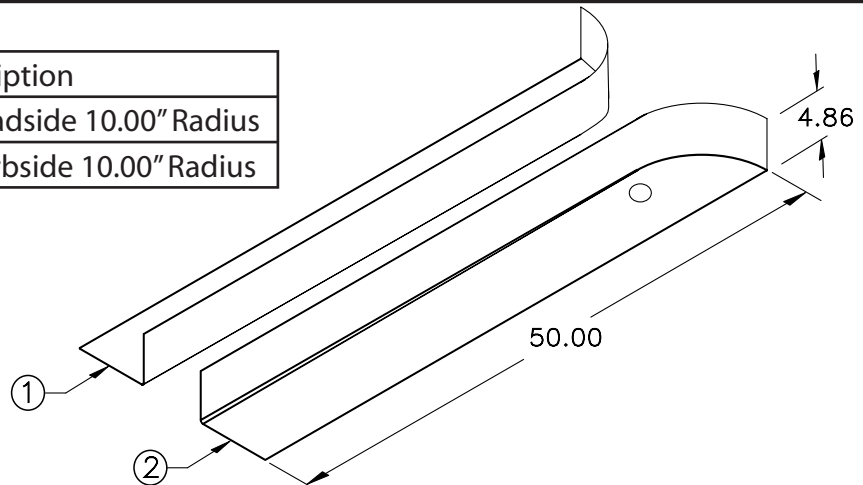


Great Dane Front Gutter Assemblies



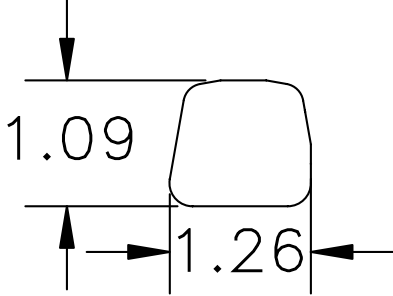
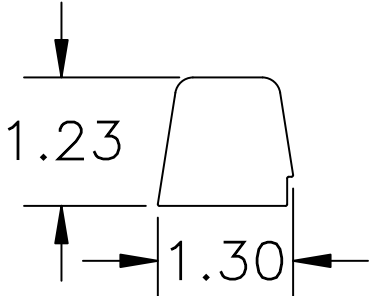
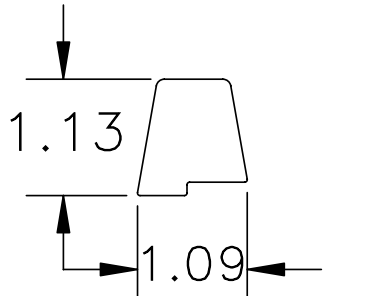
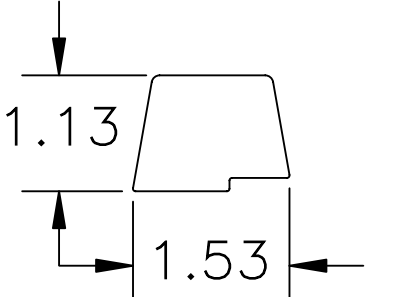
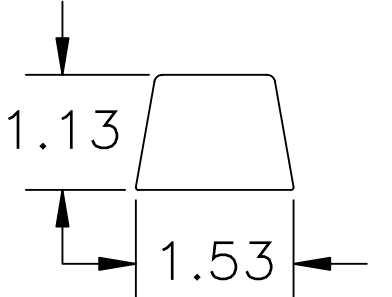
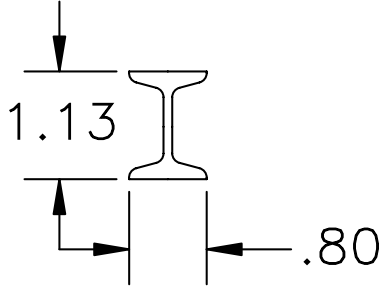
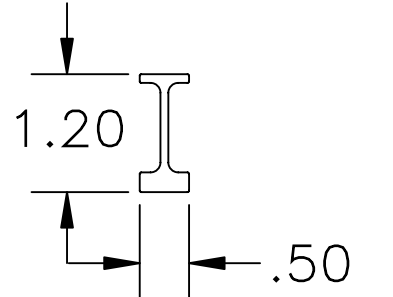
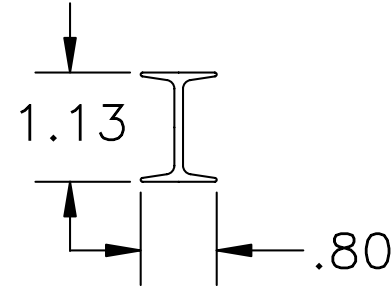
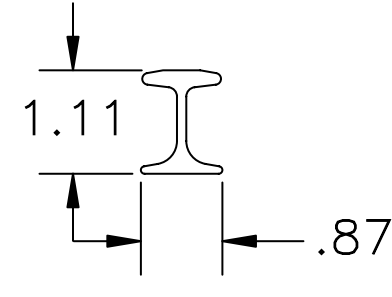
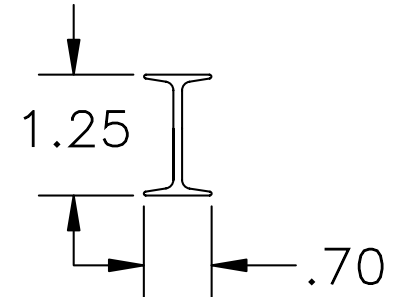
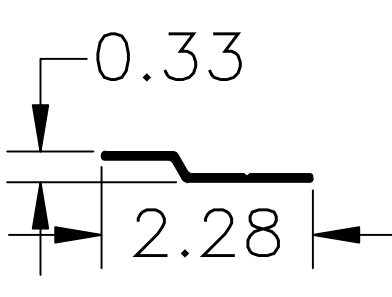
| Part Number | Description |
|-------------|---------------------------------------|
| 36000107 | Gutter Assembly Roadside 6.00" Radius |
| 36000108 | Gutter Assembly Curbside 6.00" Radius |

| Part Number | Description |
|-------------|--|
| 12667 | Gutter Assembly Roadside 10.00" Radius |
| 12668 | Gutter Assembly Curbside 10.00" Radius |



Section 8 Aluminum & Wood Flooring

Floor Plugs and Reinforcements

| | | |
|---|--|---|
|  <p>1.09 1.26</p> <p>78070 96.00"</p> |  <p>1.23 1.30</p> <p>79470 96.00"</p> |  <p>1.13 1.09</p> <p>91510 96.00"</p> |
|  <p>1.13 1.53</p> <p>94250 96.00"</p> |  <p>1.13 1.53</p> <p>94260 96.00"</p> |  <p>1.13 .80</p> <p>74510 48.00"</p> |
|  <p>1.20 .50</p> <p>74840 48.00"</p> |  <p>1.13 .80</p> <p>77680 48.00"</p> |  <p>1.11 .87</p> <p>78080 48.00"</p> |
|  <p>1.25 .70</p> <p>79480 48.00"</p> |  <p>0.33 2.28</p> <p>70223 628.75"</p> | |