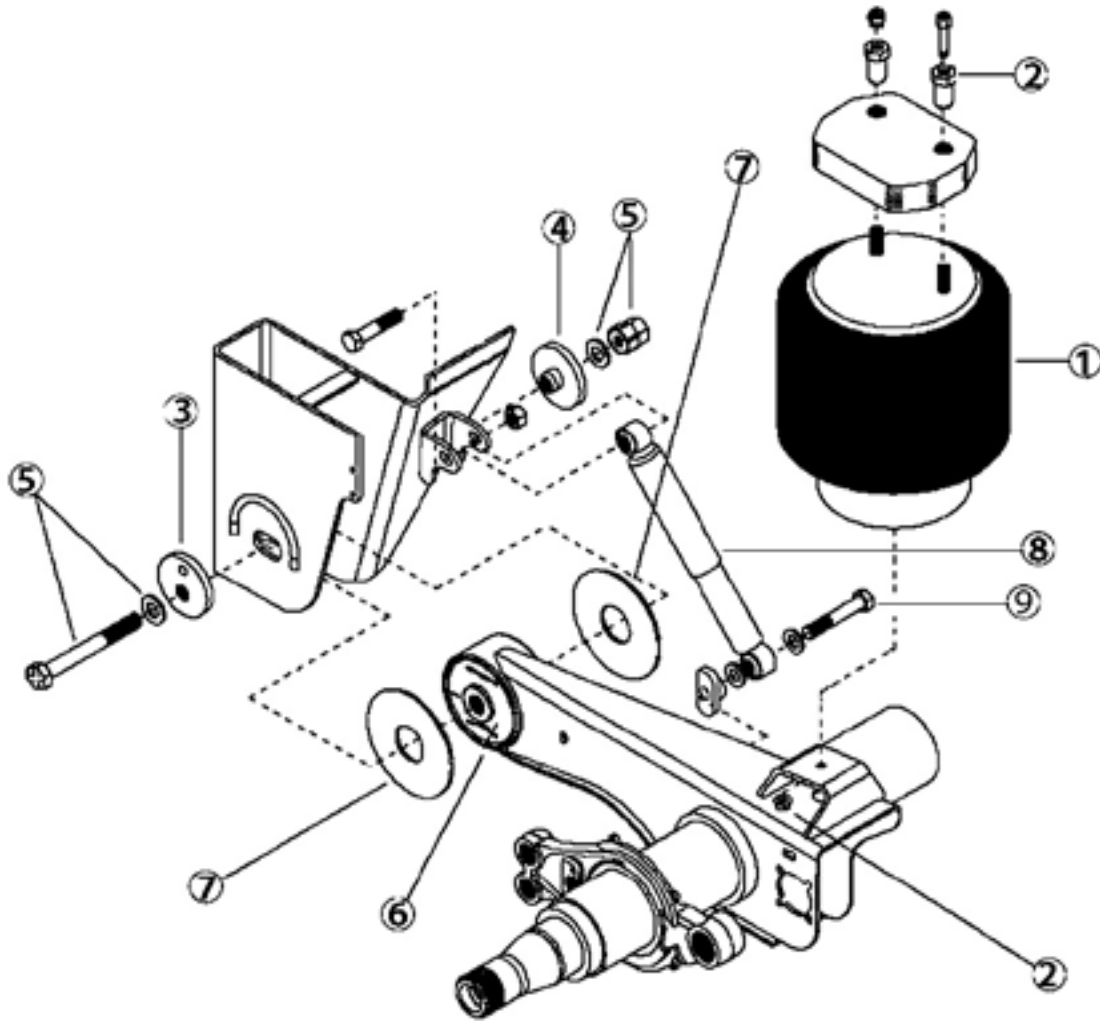


## Section 5 Undercarriage & Suspension

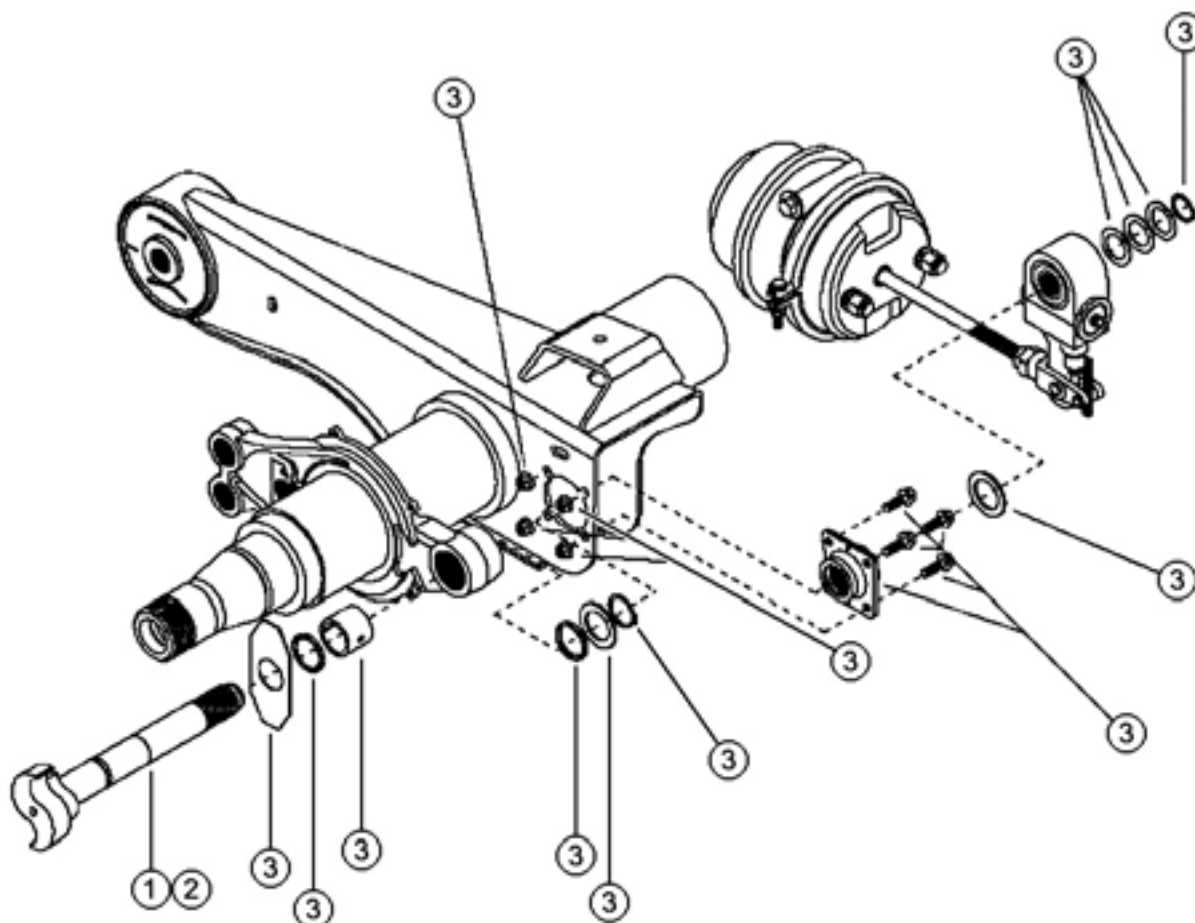
### Hendrickson HKA180



No.	Part Number	Description
1	HENS-21800	Air Spring Below 16" Ride Height (Replaces C-21800)
1	HENS-22948	Air Spring 16" to 19" Ride Height (Replaces C-22948 or C-21966)
2	HENS-22619/2	Air Spring Bolt Kit 16", 16 1/2" & 17" RH Weld-on Pedestal, 14"-18" RH Cast Pedestal
2	HENS-22630/2	Air Spring Bolt Kit 19" RH Cast Pedestal
3	HENS-20925	Eccentric Alignment Collar Quick Align
4	HENS-20924	Concentric Alignment Collar Quick Align
5	HENS-24705	Pivot Bolt Kit Quick Align (Replaces S-23319)
6	HENS-26321	Pivot Bushing Kit Quick Align (Replaces S-23320)
7	HENS-21099	Pivot Bushing Wear Pad (Replaces S-11613)
8	HENS-24088	Shock Absorber (Replaces A-20001 or B-24088)

## Section 5 Undercarriage & Suspension

### Hendrickson HKA180 Axle



No.	Part Number	Description
1	HENS-24636-1R	Camshaft 28 Spline RH (Replaces S-20806-1R or S-23347-1R)
2	HENS-24636-1L	Camshaft 28 Spline LH (Replaces S-20806-1L or S-23347-1L)
3	HENS-23974	Camshaft Repair Kit (Per Axle)