

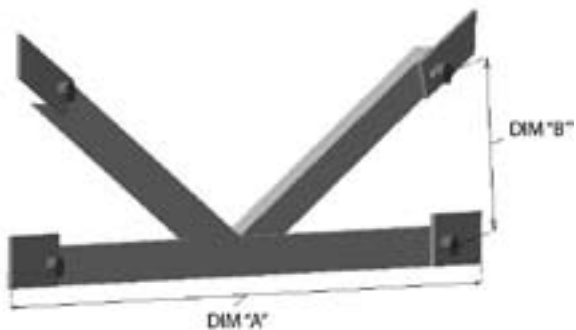


# Great Dane Trailers

## Section 4

### Landing Gear & Attachments

#### Landing Gear Mounting Brackets and Braces



Part Number	Description	Dim "A"	Dim "B"
32830	K-Brace Assembly	81.25"	14.75"
32831	K-Brace Assembly	81.25"	11.75"
31724	K-Brace Assembly	75.25"	14.75"
31725	K-Brace Assembly	75.25"	11.75"
30300202	K-Brace Assembly	78.25"	11.75"
30300240	K-Brace Assembly	78.00"	13.25"

#### SuperSeal K-Braces

Part Number	Description
577-40512-01219	K-Brace Assembly SuperSeal 87.05"
577-53024-01219	K-Brace Assembly No Lugs 76.19"

09954



Horizontal Lug for K-Brace 3.00" X 8.00"

09955



Diag Lug for K-Brace 3.00" X 9.50"



Part Number	Description
TM4-A8-9-1	K-Brace Assembly Trailmobile 70.00" for 102.00"

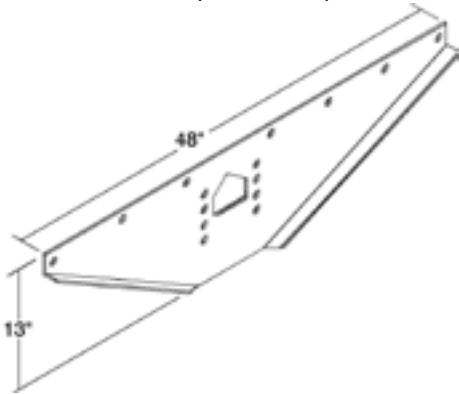


Part Number	Description
STRAA14C00510100	Horizontal Channel for Strick 3.00" X 66.00"

## Section 4 Landing Gear & Attachments

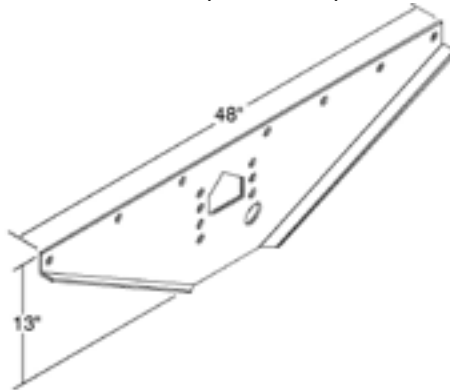
### Landing Gear Mounting Brackets and Braces

13646 (Curbside)  
13647 (Roadside)



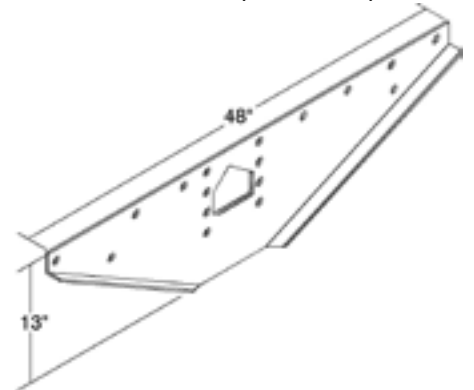
Great Dane Universal

13648 (Curbside)  
13649 (Roadside)



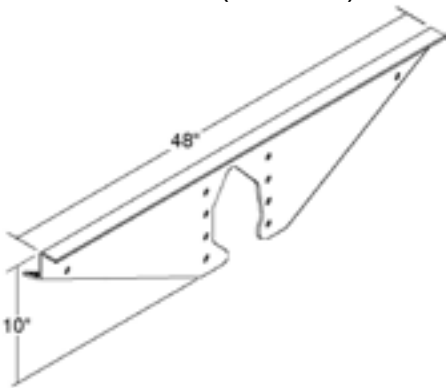
Great Dane Holland

69102484 (Curbside)  
69102485 (Roadside)



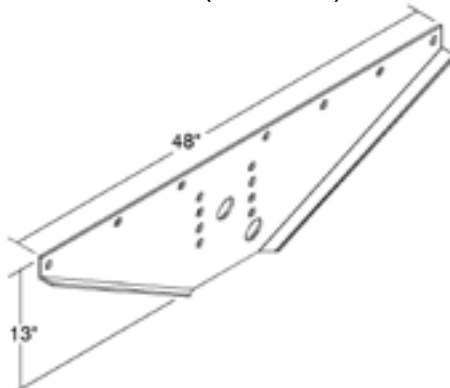
P-Series

40100907 (Roadside)  
40100908 (Curbside)



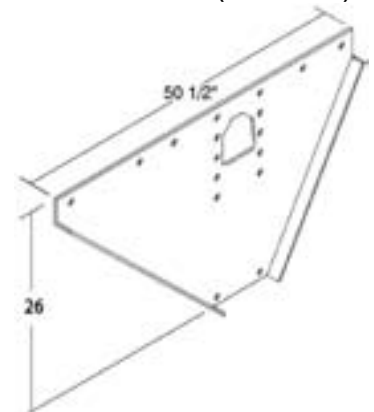
Q-Model

16295 (Curbside)  
16296 (Roadside)



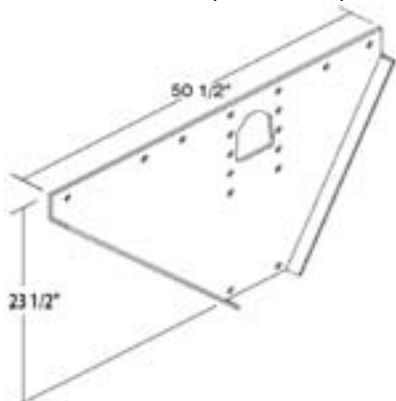
Holland

LGA0170-01 (Roadside)  
LGA0170-02 (Curbside)



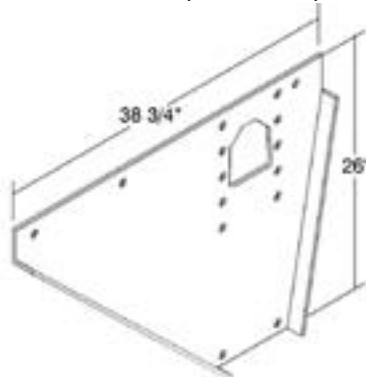
Pines

LGB4382-CS (Curbside)  
LGB4382-RS (Roadside)



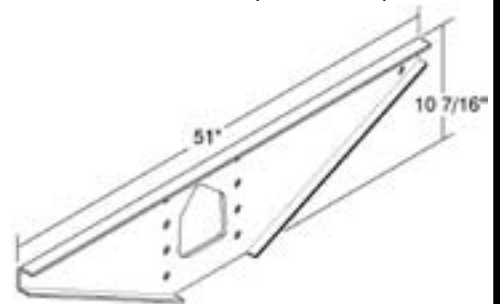
Pines

LGB0811 (Curbside)  
LGB0812 (Roadside)



Pines Pup

104-09790 (Curbside)  
104-09791 (Roadside)



Great Dane SuperSeal



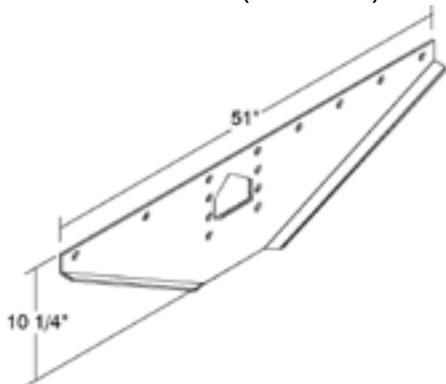
# Great Dane Trailers

## Section 4

### Landing Gear & Attachments

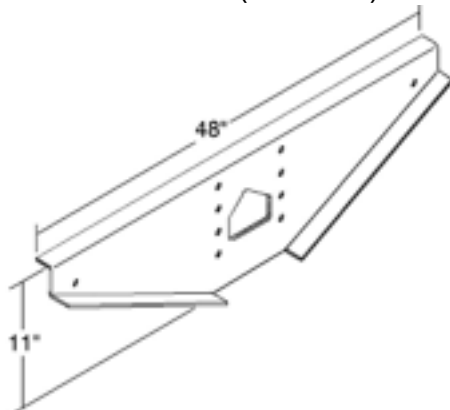
#### Landing Gear Mounting Brackets and Braces

104-32463 (Curbside)  
104-32464 (Roadside)



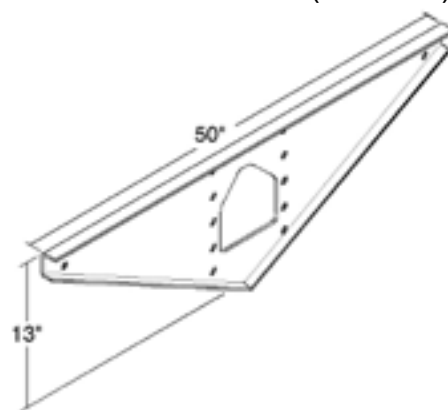
SuperSeal

STR03691 (Curbside)  
STR03690 (Roadside)



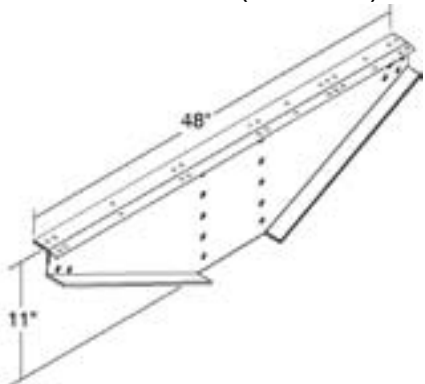
Strick

STRAA14D06060100 (Curbside)  
STRAA14D06070100 (Roadside)



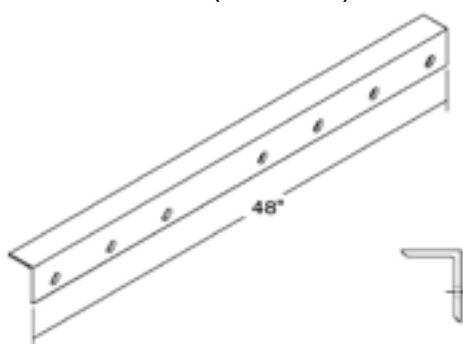
Strick

TM4-A1-224A (Curbside)  
TM4-A1-224B (Roadside)



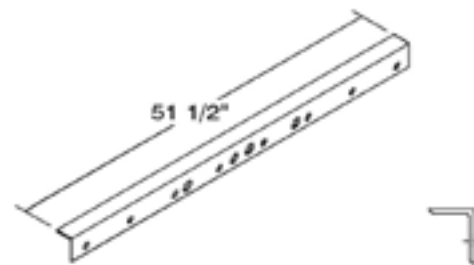
Trailmobile Shallow Mounting Bracket

13650 (Curbside)  
13651 (Roadside)



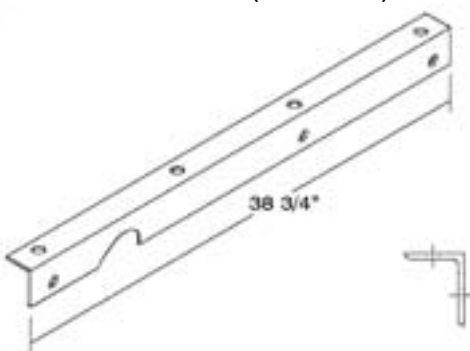
Support Gear Mounting Angle  
2.00" X 2.50" X 48.50"

69102492



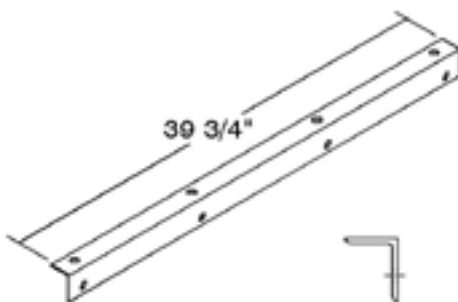
Support Gear Mounting Angle  
P-Series 2.00" X 2.50" X 51.50"

LGB1046-CS (Curbside)  
LGB1046-RS (Roadside)



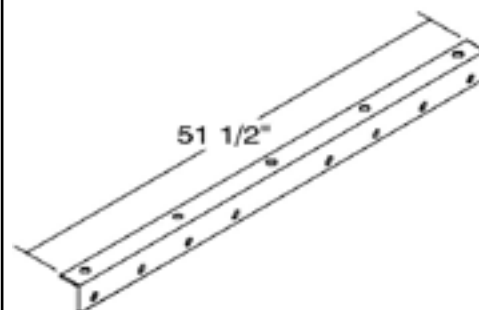
Support Gear Mounting Angle  
Pines 2.00" X 2.00" X 38.75"

LGB1092



Support Gear Mounting Angle  
Pines 2.00" X 2.00" X 39.75"

LGB1745



Support Gear Mounting Angle  
Pines 2.00" X 2.00" X 51.50"

## Section 4 Landing Gear & Attachments

### Landing Gear Mounting Brackets and Braces

13246 (Roadside)  
13247 (Curbside)



Great Dane Angle Brace Support  
Front 2.00" X 2.00" X 31.50"

13248 (Roadside)  
13249 (Curbside)



Great Dane Angle Brace Support  
Rear 2.00" X 2.00" X 25.75"

69102415 (Front) 22.00"  
69102414 (Rear) 25.63"



P-Series Landing Gear  
Brace 1.60" OD

092-27190-00380 (Curbside)  
092-27191-00380 (Roadside)



SuperSeal Mounting Angle  
2.00" X 2.00" X 23.75"

092-27192-00522 (Curbside)  
092-27193-00522 (Roadside)



SuperSeal Mounting Angle  
2.00" X 2.00" X 32.62"

099-11966-01208



SuperSeal Cross Brace 75.50"

#### Adjustable Two Piece Pipe Brace



Part Number	Length	Note
GD56878	26" to 41"	Medium Duty
ABA-15-42-57	42" to 57"	Medium Duty
PNS04-40-56-72	56" to 72"	Heavy Duty
PNS4-10-26-41	26" to 41"	Standard Duty
PNS4-10-56-72	56" to 72"	Standard Duty

#### Support Gear Diagonal Brace



Part Number	Size
STR20872	2.00" X 3.10" X 35.50"
STR01108	2.00" X 3.00" X 33.30"
STR01109	2.00" X 3.12" X 25.30"



# Great Dane Trailers

## Section 4

### Landing Gear & Attachments

#### Landing Gear Mounting Brackets and Braces

09758



Attach Plate 4.50" X 13.00"

LGB1013



Pines Bottom Filler Angle  
2.00" X 2.00" X 9.00"

LGA0035



Pines Filler Plate 2.00" X 9.00"

LGB0849



Reinforcement Plate 4.00" X 2.00"  
for Pines "Z" Brace

LGB0945



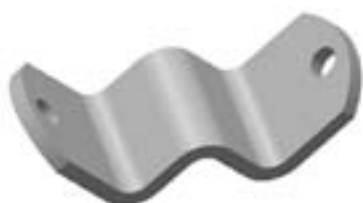
Pines "Z" Brace 8.25" X 83.75"

051-16054



SuperSeal Upper Brace Lug

051-16055



SuperSeal Lower Brace Lug

STREA14A00020100



Strick Brace Ear 3.00" X 6.00"

PNS02-15-A



Brace Ear Round Leg

PNS02-20



Brace Ear 2.00" X 9.75"

REB1846



Channel Steel 7.00" X 2.00" X 98.31"

PNS02-11-A



"L" Bracket 2.75" X 6.88"