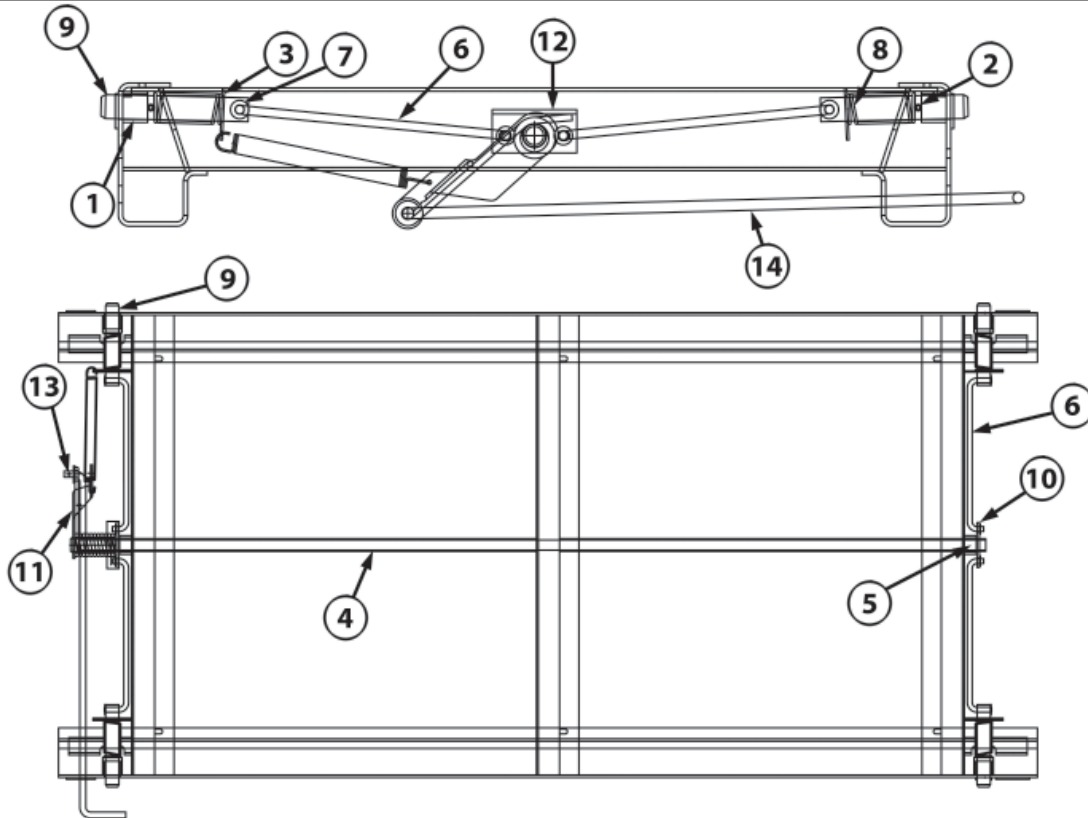


Section 5

Undercarriage & Suspension

Great Dane Model-B Slider

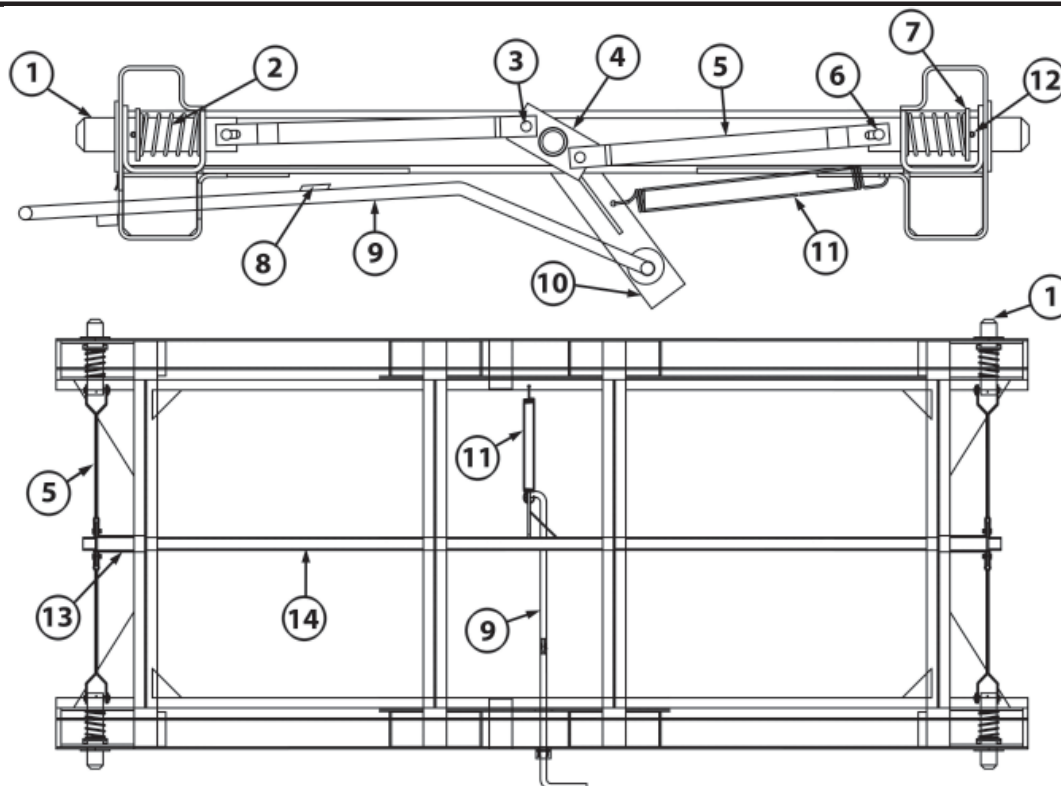


No.	Part Number	Description
1	46667	Guide , Slider Lock Pin
2	46672	Roll Pin .38" X 2.00"
3	15128	Plate, Spring Support 3" X 4"
4	16968	Center Pipe, Slider 94.50"
5	15506	Pipe Spacer, Slide Mechanism
6	15581	Slide Pin Release Link 12.94" (96" Wide)
6	15582	Slide Pin Release Link 15.94" (102" Wide)
7	41188	Flat Washer .531" X .062"
8	46671	Compression Spring 5.00"
9	15514	Slider Lock Pin 1.38"
10	15496	Lever, Slide Pin Link
11	BINSL0019	Torsion Kit (Lever & Spring)
12	47396	Torsion Cam
13	43335	Cotter Pin S/S .13" X 1.00"
14	16966	Operating Rod Slide Pin Release 32.85" (96" Wide)
14	16967	Operating Rod Slide Pin Release 35.85" (102" Wide)

Section 5

Undercarriage & Suspension

Great Dane Model-H Slider



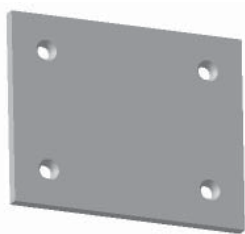
No.	Part Number	Description
1	07195	Slide Pin 1.63" X 7.75"
2	44242	Compression Spring 1.73" X 3.56"
3	41320	Clevis Pin .38" X .75"
4	07192	Lever, Pin Mechanism 4.00"
5	32333	Clevis Assembly 15.50" (96" Wide)
5	32783	Clevis Assembly 18.50" (102" Wide)
6	41323	Clevis Pin .38" x X2.50"
7	07976	Washer 1.75" ID X 2.50" OD
8	07204	Operating Rod Stop Pin
9	07463	Operating Rod Slide Pin Release 30.50" (96" Wide)
9	13409	Operating Rod Slide Pin Release 33.50" (102" Wide)
10	15134	Lever, Locking Mechanism 10.19"
11	44244	Return Spring Operating Rod 1.11" OD X 6.63" Long
11	46121	Return Spring Operating Rod 1.11" OD X 9.63" Long
12	41321	Roll Pin .25" X 2.50"
13	07462	Pipe Spacer Slide Mechanism 4.88"
14	16968	Center Pipe, Slider 94.50"

Section 5 Undercarriage & Suspension

Miscellaneous Slider Parts



Part Number	Description
45190	Slider Pad .25" X 2.00" X 100.00" Great Dane Super Slide
HUT11421-01	Slider Pad .25" X 2.00" X 96.00" Hutch



Part Number	Description
HUT12818-01	Slider Pad .25" X 4.00" X 5.50" Hutch



Part Number	Description
HUT12716-01	Slider Lock Pin H8800



Part Number	Description
HUT9611-01	Slider Lock Pin 1.63" X 7.00"
HUT8520-00	Slider Lock Pin 1.63" X 8.75"



Part Number	Description
HUT11410-02	Slider Lock Pin 1.63" X 9.19" H8500



Part Number	Description
HUT18426-01	Slider Lock Pin H9800



Great Dane Trailers

Section 5

Undercarriage & Suspension

Miscellaneous Slider Parts



Part Number	Description
HUT17252-01	Slider Lock Pin 1.38" X 6.19"



Part Number	Description
REY19753-01	Slider Lock Pin Reyco 86AR



Part Number	Description
HUT11412-16	Slide Pin Link 17.62" H8500



Part Number	Description
HUT8018-01	Tension Spring Slider Pull Handle 1.00" X 8.63"
HUT8018-02	Tension Spring Slider Pull Handle 1.00" X 10.13"



Part Number	Description
HUT12779-01	Compression Spring for Slide Pin H8800 & H9800
HUT8098-01	Compression Spring for Slide Pin H8500
BINXB-SPG-020-18	Compression Spring 1.44" X 5.00"
REY19638-01	Compression Spring Reyco 86AR